



NMC Junior Pro Controller

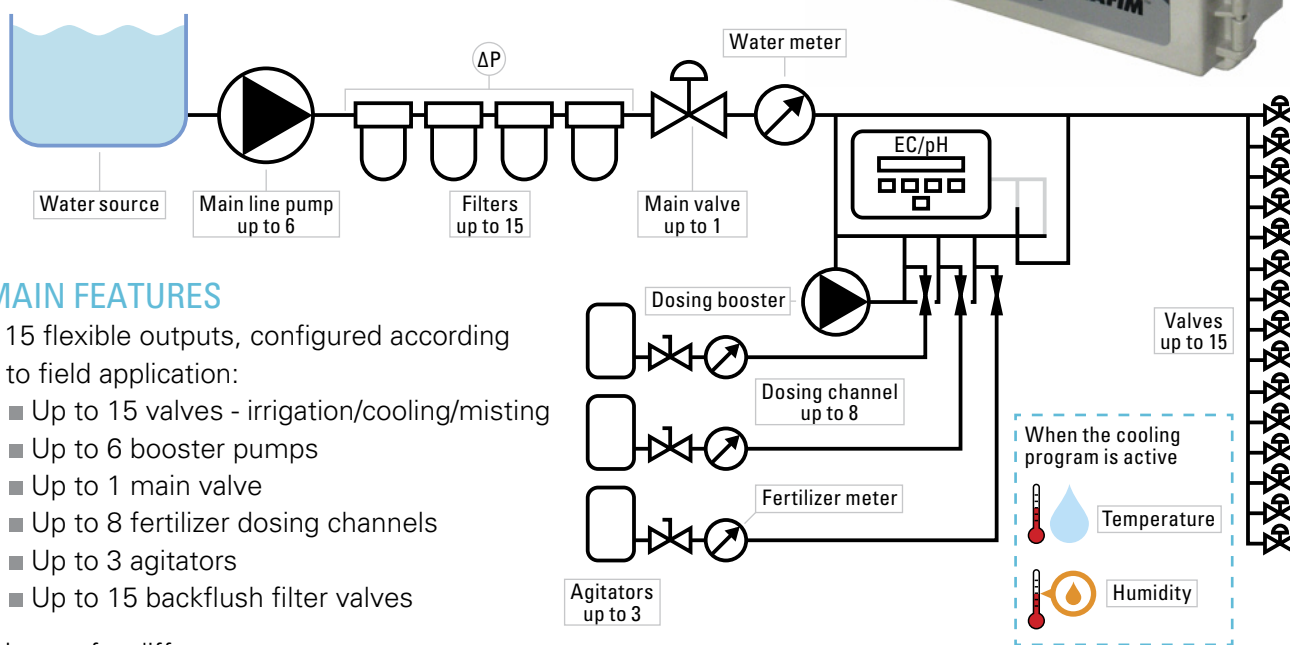
OVERVIEW

The **NMC Junior Pro** is an economic and multi-function irrigation controller for small and medium applications. It is a modular controller with **15 outputs** and flexible output configuration.

The **NMC Junior Pro** is designed to work in open-field or greenhouse applications.

HIGHLIGHTS & BENIFITS

- A cost-effective product.
- Local PC software or mobile & web remote control by NMC Air.
- A precise EC & pH monitor and control algorithm.
- Friendly & simple user interface, with a large graphic display.
- Multi-language user interface.
- Sold with the FertiKit™ Nutrigation™ system, or as a stand-alone product.



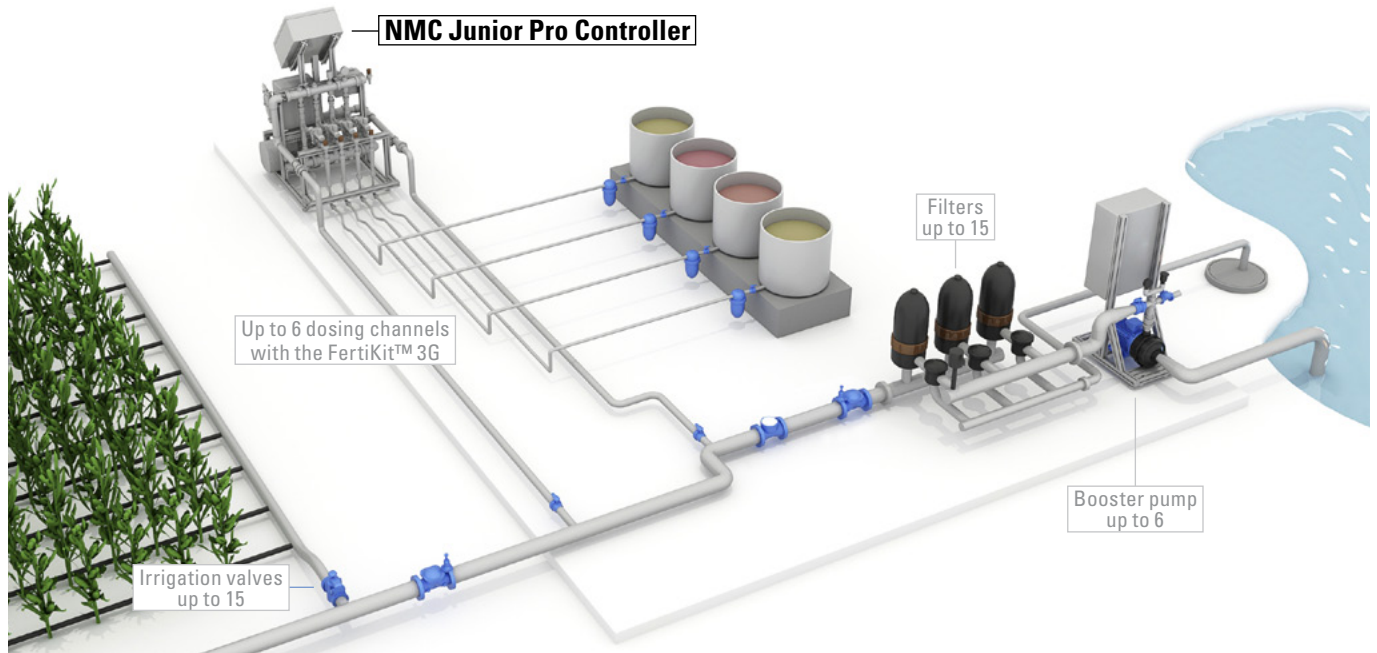
MAIN FEATURES

- 15 flexible outputs, configured according to field application:
 - Up to 15 valves - irrigation/cooling/misting
 - Up to 6 booster pumps
 - Up to 1 main valve
 - Up to 8 fertilizer dosing channels
 - Up to 3 agitators
 - Up to 15 backflush filter valves
- Inputs for different uses:
 - 6 digital inputs for water meter, fertilizer meter and delta pressure switch
 - 5 analog inputs for EC, pH, 2 x temperature and relative humidity
- **Irrigation strategy**, based on a dosing program, a water runtime program and an irrigation program.
 - The irrigation starts by either: time, conditions, VPD sum and radiation sum.
- **Filter flush program**, started according to time and/or delta pressure (ΔP).
- **Cooling strategy**, based on time and the actual temperature and relative humidity sensors.
- **Misting strategy**, started at a scheduled time. This program can also be used as a simple timer program.



TYPICAL INSTALLATION

NMC Junior Pro controller with FertiKit™ 3G dosing system.



POWER SPECIFICATIONS

- 15 outputs 24 VAC
- Internal surge protector 115/230 VAC
- Surge protection on inputs and outputs
- Power supply 115/230 VAC, 35 Watt

AVAILABILITY

Lead time:
4 weeks from receipt of order.

UPGRADE FROM NMC JUNIOR TO NMC JUNIOR PRO

CAT. No.	DESCRIPTION	COMMENTS
74340-009485	NMC-JUNIOR PRO CPU CARD FOR LED	For NMC Junior with LED display
74340-009480	NMC-JUNIOR PRO CPU CARD FOR FLUR	For NMC Junior with fluorescent display