

75 SERIES REINFORCED NYLON CONTROL VALVES

DESCRIPTION

The strong and versatile plastic valves of 75 series, exhibit exceptional hydraulic characteristics and provide optimal control of irrigation systems.



APPLICATIONS

Control valve series (¾" – 6"R) designed to operate and protect irrigation networks in field crops, vineyards, orchards, and greenhouses.

BENEFITS

- **Outstanding Performances**
High flow capacity and very low head losses achieved by a flexible diaphragm that provides a wide water passage throughout the valve's hydrodynamic body.
- **Ultimate Durability**
Long life and easy inline maintenance accomplished by structural simplicity and high-quality corrosion-free materials.
- **Extremely Versatile**
Gal plastic valves are available with full selection of control functions and various end connections.

TECHNICAL SPECIFICATIONS

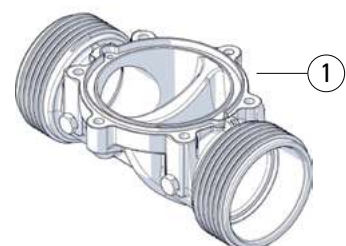
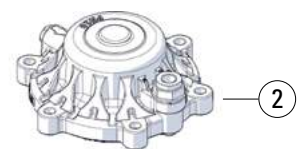
- Maximum pressure – 10 bar (145 psi)
- Minimum recommended flow – 1 m³/h (5 gpm)
- Minimum operating pressure – 0.4 bar (6 psi)
- Maximum operating temperature – 70°C (160°F)

PARTS AND MATERIALS

#	PART	STANDARD	OPTIONAL*
1	Body	Reinforced Nylon	Polypropylene
2	Bonnet	Reinforced Nylon	Polypropylene
3	Diaphragm**	Natural Rubber	ALD, EPDM
4	Spring	SST 302	SST 316

* Optional parts for special chemical resistance

** Wide selection of pressure ranges





HYDRAULIC PERFORMANCES

DIAMETER	inch	3/4	1	1.5	2	2.5	3R	3	4R*	4	6R*
	mm	20	25	40	50	65	80	80	100	100	150
FLOW RATE FACTOR**	Kv	7.5	15	60	70	75	75	120	120	275	275
	Cv	9	17.5	70	80	90	90	140	140	320	320

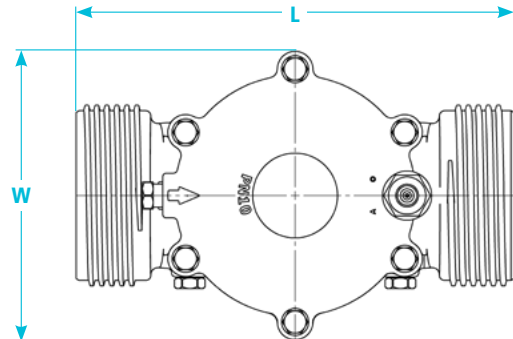
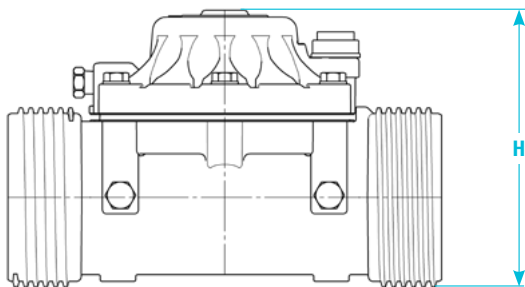
*. R – “Reduced” - 3R = 323; 4R = 434; 6R = 646”

** . In order to calculate the head loss at any desired flow rate, use the following equation: Head loss = (Flow rate/Flow rate factor)²

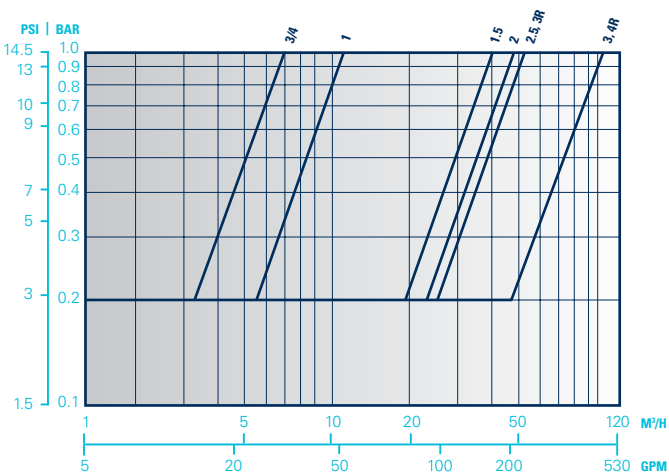
DIMENSIONS

DIAMETER	inch	3/4	1	1.5	2	2.5	3R	3	4R*	4	6R*	
	mm	20	25	40	50	65	80	80	100	100	150	
HEIGHT	H	mm / inch	60.5 / 2.42	60.5 / 2.42	122.6 / 4.90	117.6 / 4.70	118.7 / 4.75	124.9 / 5.00	174 / 6.90	227 / 9.10	229 / 9.00	284 / 11.18
WIDTH	W	mm / inch	89.5 / 3.58	89.5 / 3.58	130.8 / 5.23	130.8 / 5.23	130.8 / 5.23	170 / 6.80	227 / 9.10	236 / 9.29	285 / 11.22	
LENGTH	L	mm / inch	113 / 4.50	124 / 4.87	188 / 7.37	199 / 7.87	228 / 9.00	236 / 9.25	258 / 10.30	291.5 / 11.66	370 / 14.56	420 / 16.53
VOL. CONTROL CHAMBER	cc / gal		36 / 0.01	36 / 0.01	180 / 0.04	180 / 0.04	180 / 0.04	180 / 0.04	250 / 0.05	250 / 0.05	400 / 0.11	400 / 0.11
WEIGHT	kg / lbs		0.2 / 0.44	0.2 / 0.44	0.9 / 2	0.9 / 2	1.2 / 2.6	1.4 / 3.1	3.1 / 6.8	2 / 4.4	5.95 / 13.1	7.95 / 17.5

*. Dimensions for those diameters include flanges



HEAD LOSS – 2 WAY VALVES



HEAD LOSS – 3 WAY VALVES

