

Hydrocyclone

SAND SEPARATORS

Utilizing a conical shaped separator that accelerates the velocity of water maximizing separation of sand and other solid matter to protect the irrigation components from damage and abrasion.



Maximum protection



High corrosion and UV resistance



Ease of operation

/ Benefits & Features

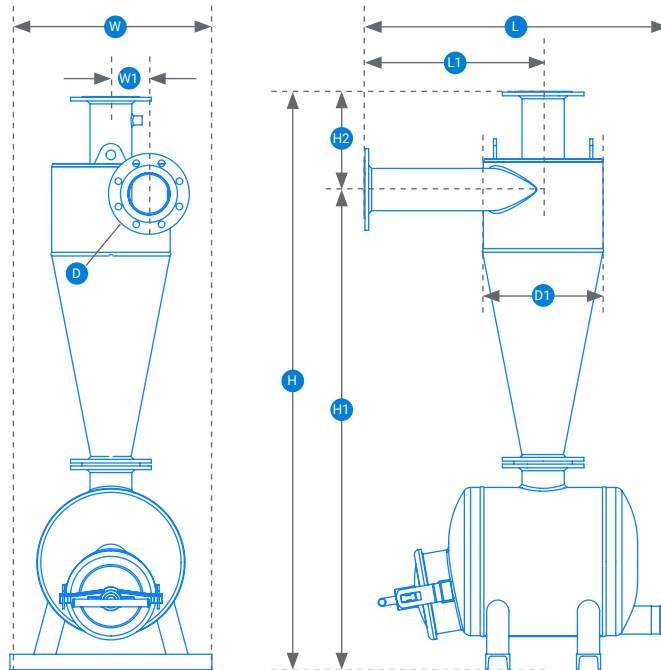
- **Maximum protection** Conical shape accelerates the velocity of the water increasing centrifugal forces and maximizing separation
- **Industry leading** UV/Corrosion protection thanks to special two layers coating
- **Easy operation** No moving parts or screens
- **No clogging** No head loss build-up or clogging during separation
- **Specially designed** Conical rubber protection to protect the cone from erosion
- **Flushing frequency reduction** Large holding capacity of sedimentation tank reduces flushing frequency
- **Maximum anti-corrosion** Protection with durable long-lasting coating materials
- **Maximum operating pressure** 10 bar (145 psi)
- **Variety of end connection** Wide range of end connection and sedimentation tanks capacity

/ Applications

- ✓ For separation of sand and other solid matter from water
- ✓ Protection of valves and irrigation systems from damage/abrasion caused by sand and other solid matter
- ✓ Pre-filtering of water with high loads of sand
- ✓ For irrigation systems irrigating with well water

→ Logistic Data

Model	Sedimentation Chamber Model	Dimensions									Drain Socket Diameter
		D (inch)	D1 (inch)	H (mm)	H1 (mm)	H2 (mm)	L (mm)	L1 (mm)	W (mm)	W1 (mm)	
2"	12L - 3" vic	2"	8"	900	755	145	562	305	320	80	2"
3"	12L - 3" vic	3"	8"	930	765	165	562	305	320	65	2"
3" Super	12L - 3" vic	3"	8"	930	765	165	562	305	320	65	2"
3" Super	60L - 3" vic	3"	8"	1,148	983	165	782	305	320	65	2"
4"	60L - 4" flange	4"	12"	1,550	1,285	265	800	465	550	104	2"
4" Super	60L - 4" flange	4"	16"	1,765	1,495	270	835	500	550	138	2"
4" Super	120L - 4" flange	4"	16"	1,883	1,613	270	967	500	650	138	2"
6"	120L - 8" flange	6"	20"	1,996	1,671	325	1,037	605	650	165	2"
6" Super	120L - 8" flange	6"	24"	2,300	1,940	360	1,087	655	650	215	2"
6" Super	240L - 8" flange	6"	24"	2,414	2,054	360	1,223	655	750	215	2"
8"	240L - 8" flange	8"	30"	2,897	2,492	405	1,273	705	750	265	2"



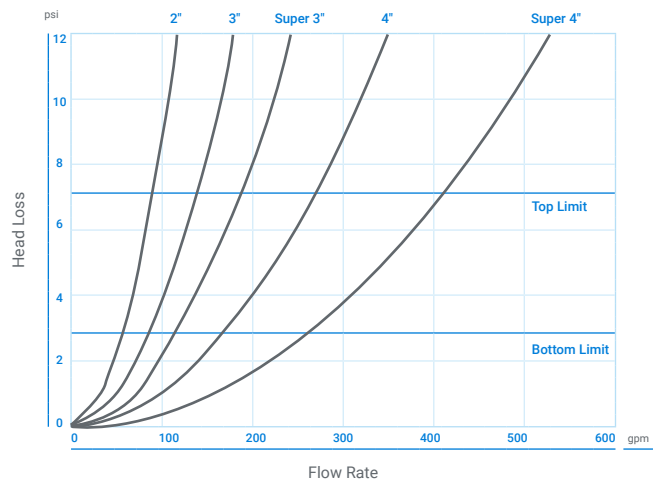
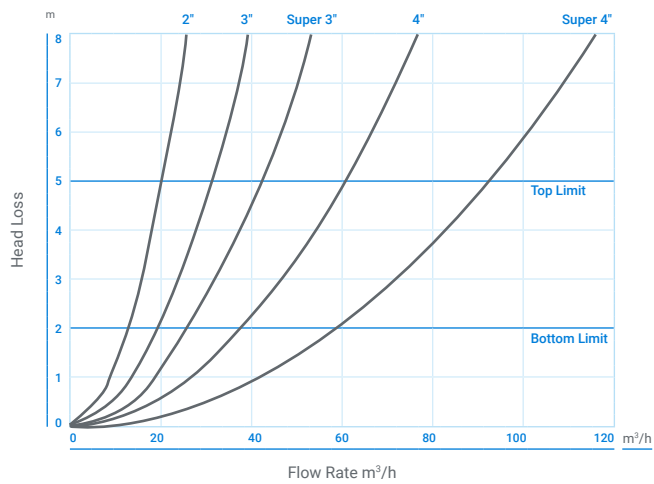
→ Technical Information

Model	In / Out Diameter (inch)	Recommended Flow Rate Range				Sedimentation Tank Capacity	
		m ³ /h		gpm		liter	gallons
		min	max	min	max		
2"	2"	12.5	20	55	88	12	3
3"	3"	19.5	30	86	132	12	3
3'S	3"	27	42	119	185	12 / 60	3 / 16
4"	4"	35	61	154	269	60	16
4'S	4"	59	95	260	418	60 / 120	16 / 32
6"	6"	88	147	387	647	120	32
6'S	6"	126	205	555	903	120 / 240	32 / 63
8"	8"	205	400	903	1761	240	63

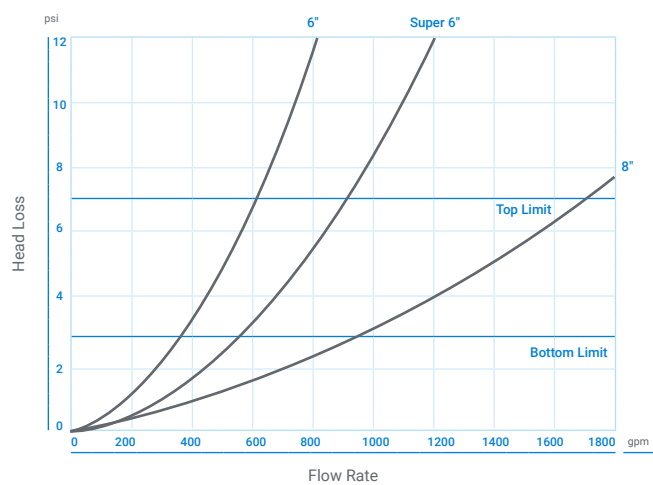
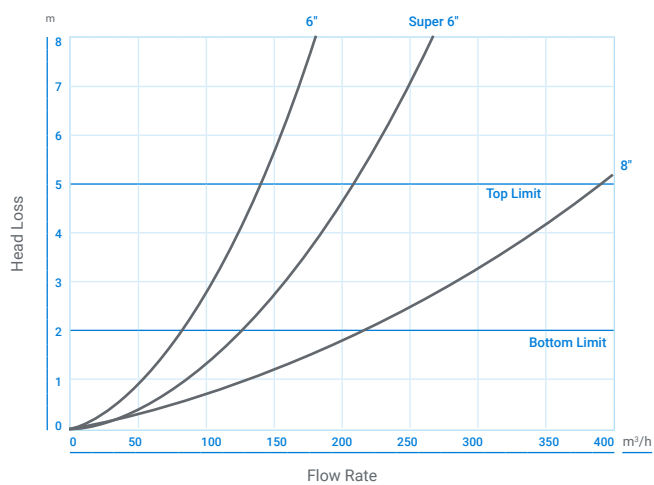
Flow rate are based on recommended head loss of 2- 5m' (3 - 7psi)

→ Head Loss

2" - 4"



6" - 8"



→ Catalog Numbers

Catalog number starting with 71990 + (any of bellow 6 digits)

Model	Tank Capacity		BSP	NPT	Grooved		ANSI	BSTD	ISO10	ISO16
	Lt.	Gal			BSP Drain	NPT Drain				
2"	12	3.2	000100	000101	000102	000300	-	-	-	
3"	12	3.2	000120	000121	000122	000310	000123	000124	000125	
3" Super	12	3.2	000140	000141	000142	000311	000143	000144	000145	
3" Super	60	15.9	000186	000187	000188	000312	000189	000190	000191	
4"	60	15.9	-	-	000162	000320	000163	000164	000165	
4" Super	60	15.9	-	-	000182	000321	000183	000184	000185	
4" Super	120	31.7	-	-	000280	000322	000281	000282	000283	
6"	120	31.7	-	-	000200	000330	000201	000202	000203	
6" Super	120	31.7	-	-	000220	000331	000221	000222	000223	
6" Super	240	63.4	-	-	000290	000332	000291	000292	000293	
8"	240	63.4	-	-	000240	000340	000241	000242	000243	000244