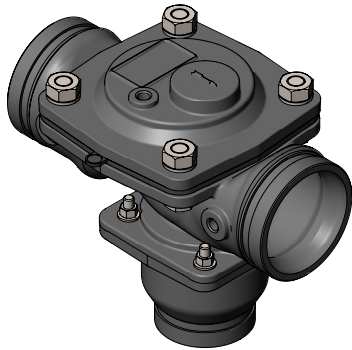


# SPARE PARTS BREAKDOWN:

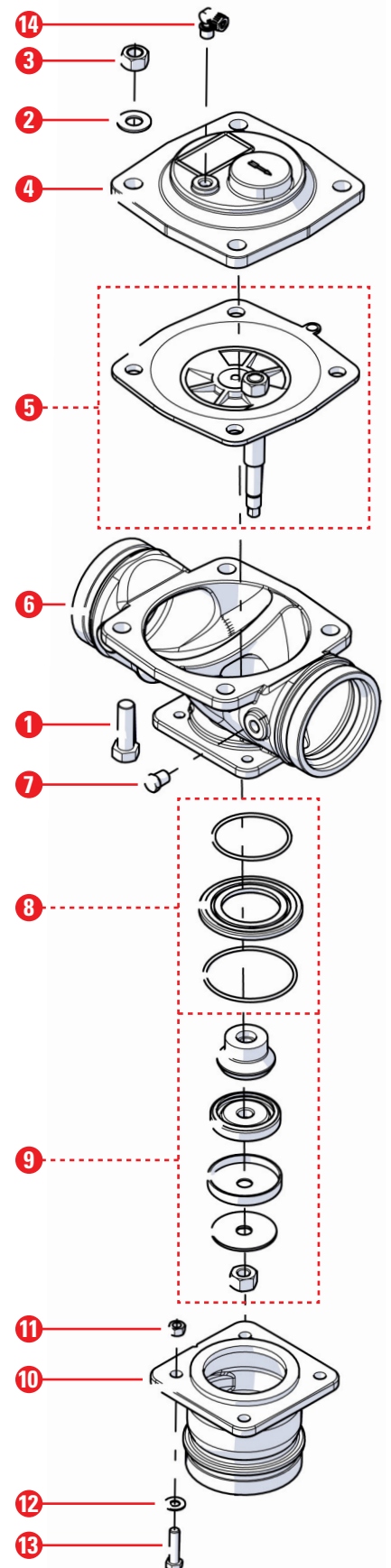
## Backwash 3-way hydraulic valve - 4"

Description	Cat. No.
3-way hydraulic valve, 4"	71600-006660



### Main parts

Part	Description	Cat. No.
1	Bolt 5/8*50 steel	71680-001710
2	Washer 5/8	76540-001100
3	Nut 5/8	76540-001000
4	Bonnet	71680-001711
5	Diaphragm assembly	71680-007800
6	Body	????????????
7	Plug	71610-000800
8	Seat kit	71680-001713
9	Plug kit	71680-001714
10	Adaptor	71680-016091
11	Nut	71680-011700
12	Washer	71680-011600
13	Bolt	71680-011540
14	Elbow 8x1/4 in	76400-003500



## Assemblies

Part	Description	Cat. No.
5	Diaphragm assembly	71680-007800
8	Seat kit	71680-001713
9	Plug kit	71680-001714

## Assemblies - sub-parts

part	Description	5	8	9
5.1	Nut	+		
5.2	Top disc	+		
5.3	Diaphragm	+		
5.4	Shaft disc	+		
5.5	Shaft	+		
8.1	O-ring		+	
8.2	Seat		+	
8.3	O-ring		+	
9.1	Guide cone			+
9.2	Seal			+
9.3	Seal bowl			+
9.4	Washer			+
9.5	Nut			+

